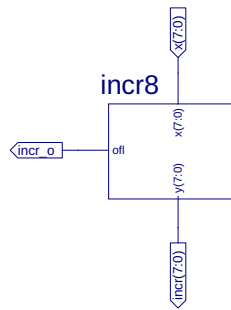
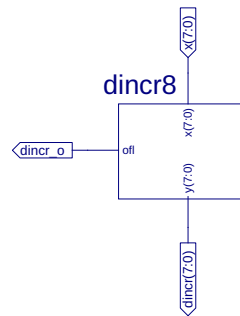


Michal Szopinski  
Arithmetic component playground

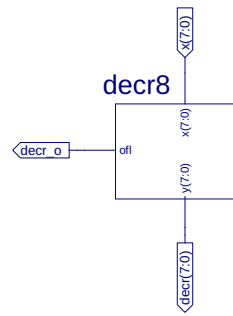
8-bit incrementer



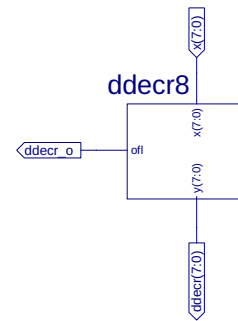
8-bit double incrementer



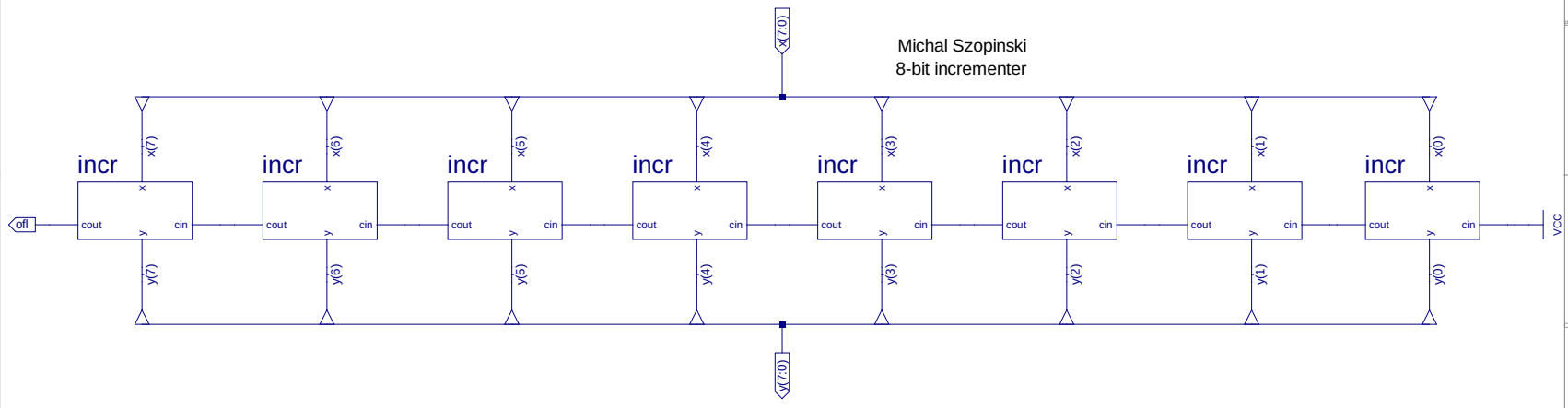
8-bit decrementer



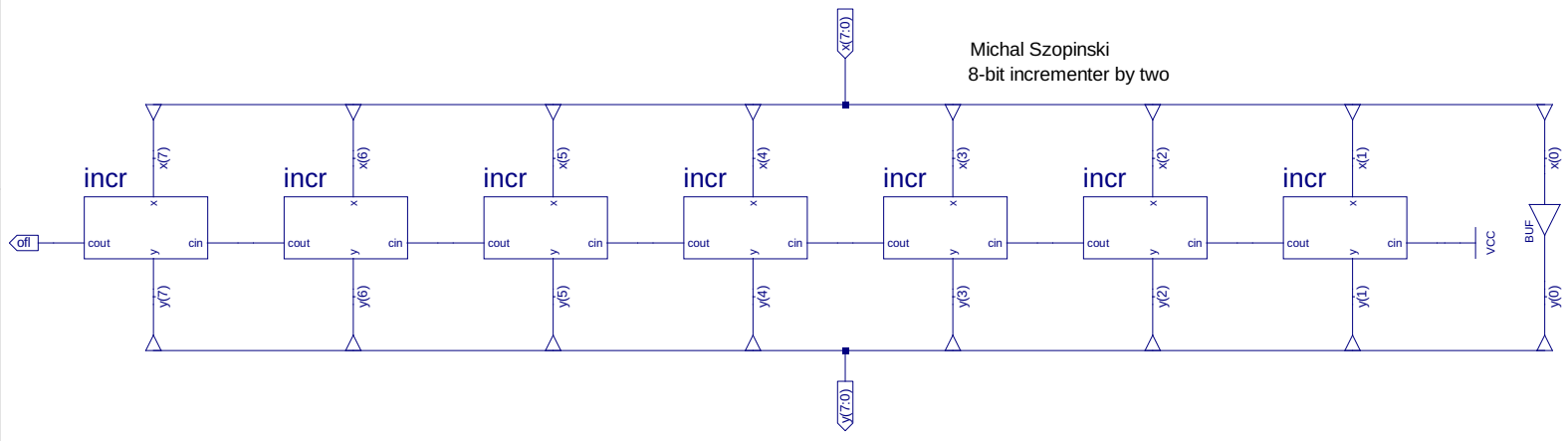
8-bit double decrementer

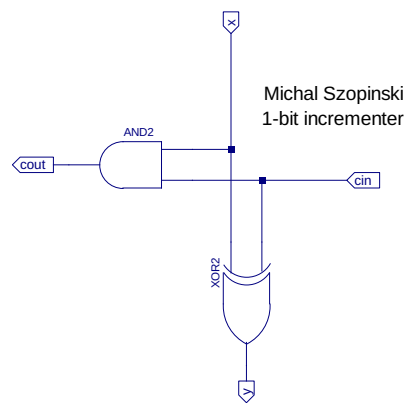


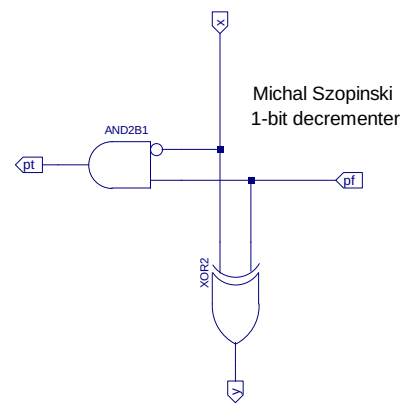
Michał Szopinski  
8-bit incrementer











Michał Szopinski  
8-bit incrementer by two







-  x[7:0]
-  incr[7:0]
-  incr\_o
-  dincr[7:0]
-  dincr\_o
-  decr[7:0]
-  decr\_o
-  ddecr[7:0]
-  ddecr\_o

